

# TECHNICAL FOCUS ON SIMPLE SPREADING SYSTEMS

Technical guide for multi-nozzle booms, small spreading booms and scatterers



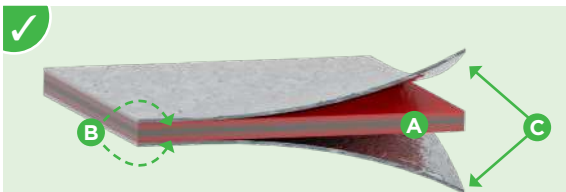
# JOSKIN®

# SIMPLE SPREADING SYSTEMS

Standard ✓ or optional + equipment

## MULTITWIST RM (MULTI-NOZZLE BOOM)

The JOSKIN Multitwist multi-nozzle booms enable the slurry to be spread **evenly** over widths of 12 and 15 m. This spreading implement **significantly reduces the air resistance** during spreading, and therefore ammonia losses.



All parts are fully galvanised for optimal quality.

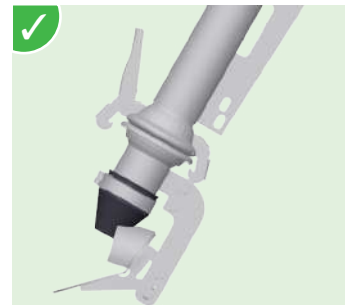
(A) Structure made of steel of sheet metal profiled tubes.

(B) Core penetration of zinc in steel at 450°C.

(C) 70-micron galvanising with special treatment before and after immersion in the zinc bath.



Water spreading possible (as close to the ground as possible).



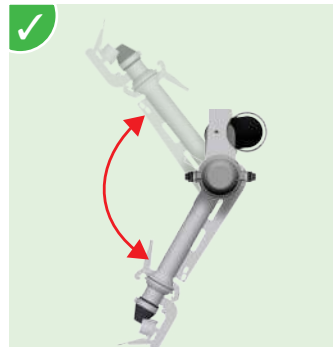
Spreading pipes as close to the ground as possible



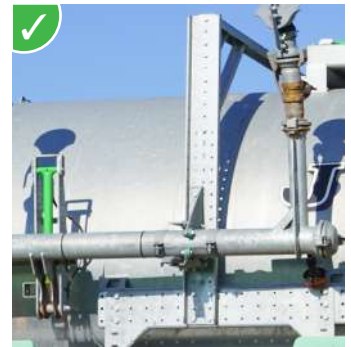
Coupling of the boom to JOSKIN buttresses or linkage.



Double boom feeding from the centre to each side for perfectly even spreading.



TWIST anti-drip lifting system to prevent slurry losses on the road and in the field when manoeuvring.



Mechanical safety device with boom locking for road travel



2.7 to 3 m depending on tank Ø



Simple hydraulic folding of the boom on the tank with minimum space requirement.

## ECO PENDITWIST



✓ **Small, simple spreading boom.**  
**Working width: 3 m**  
 Without macerator - Manual folding system - Coupling directly to the Ø 150 mm outlet of the slurry tanker.



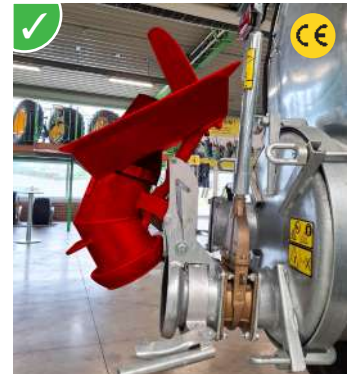
✓ **Can be combined with a normal scatterer.**

## EXACT SCATTERER (STANDARD)

Slurry is spread closer to the ground and the **air resistance is significantly reduced** thanks to the exact scatterers that bring the fertiliser down to the ground.



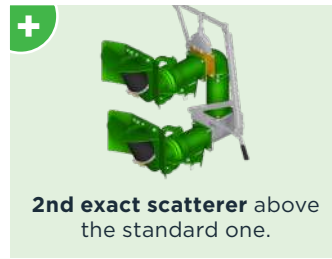
✓ **Stop cam** for adjusting the spreading height.



✓ **© Patented system**  
**Scatterer folding system complying with European standards** for safety on the road.



✓ **Large plate to protect the tank from splashes**



✓ **2nd exact scatterer** above the standard one.

## EISELE SCATTERER

The Eisele (single or double) scatterer directs the **slurry flow laterally and more or less vertically towards the ground**, like a slurry wall. The height can be adjusted, which allows to adapt the working width.



**Single Eisele scatterer (gooseneck).**  
**Working width: ± 20 m.**



**Double Eisele scatterer.**  
**Working width: ± 15 m.**

## MÖSCHA SCATTERER

The scatterer from the German manufacturer Möscha spreads the slurry with a continuous left/right pendulum movement. It ensures a **"big drop" vertical distribution** at low pressure. Several variants (flow/width) are available.



**Single Möscha swinging scatterer.**  
**Working width: ± 15 m.**



**Double Möscha swinging scatterer.**  
**Working width: adjustable from ± 18 to 21 m.**

# SIMPLE SPREADING SYSTEMS

## DIFFERENT IMPLEMENTS

### Multi-Nozzle Booms: Multitwist

### ECO Penditwist



Spreading width: 12 m - 8 outlets

Multitwist 12/8RM



Spreading width: 15 m - 10 outlets

Multitwist 15/10RM



3 m - 10 outlets

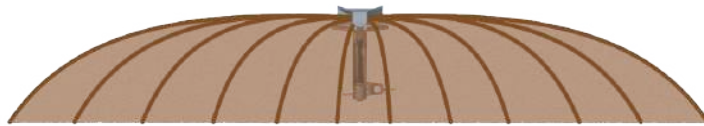
ECO Penditwist

### Scatterers



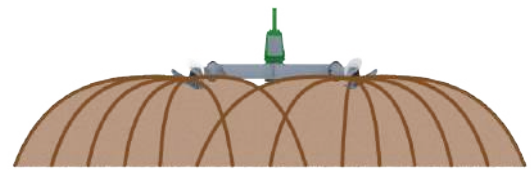
Spreading width: 10 m

JOSKIN exact scatterer



Spreading width:  $\pm 20$  m

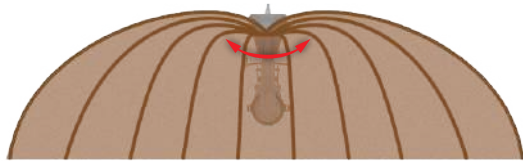
Eisele single scatterer



Spreading width: from  $\pm 15$  to 18 m

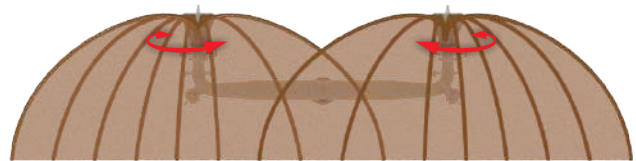
Eisele double scatterer

### Alternating operation by slurry pressure



Spreading width:  $\pm 15$  m

Möscha single scatterer



Spreading width: from  $\pm 18$  to 21 m

Möscha double scatterer

**JOSKIN, the specialist in ALL SPREADING SYSTEMS with a unique experience in slurry spreading FOR OVER 40 YEARS!**

# JOSKIN



[www.joskin.com](http://www.joskin.com) • Rue de Wergifosse, 39 - 4630 Soumagne (Belgium)

E-mail: [info@joskin.com](mailto:info@joskin.com) • Tel.: +32 (0)4 377 35 45