

JOSKIN

www.joskin.com

3-WAY TIPPING TRAILERS

SEMI-MOUNTED AND TRAILED MODELS



A range designed for professionals!

Tipping Trailers FOR ALL SITUATIONS

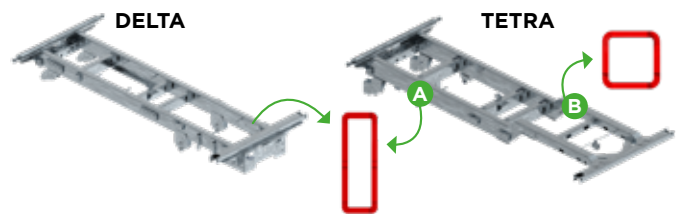
The Delta-CAP/SPACE and Tetra-CAP/SPACE tipping trailers are very sturdy given their high tensile steel structure and drop sides in closed profiles. They also are **very modular** and **versatile**. Various combinations of drop sides are possible to reach the loading capacities required by the conditions on the field.

Durable, Sturdy Chassis



Galvanised protection

- (A) Core penetration of zinc in steel at 450°C.
- (B) 70-micron galvanising with special treatment before and after immersion in the zinc bath.



Tubular chassis sections

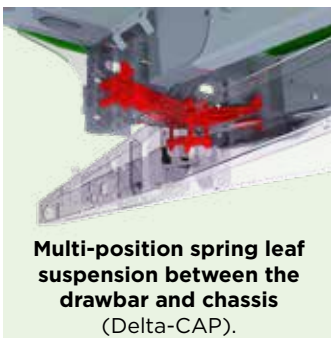
- Delta-CAP/SPACE: 250x100 or 300x100 mm.
- Tetra-CAP/SPACE: 250x100 or 300x100 mm (section A) and 150x150 mm (section B).



Plastic caps on the openings of the galvanised elements to prevent material build-up.



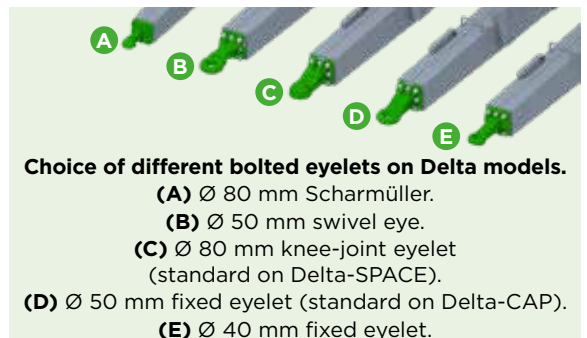
Drawbar with Several Possible Adjustments



Multi-position spring leaf suspension between the drawbar and chassis (Delta-CAP).

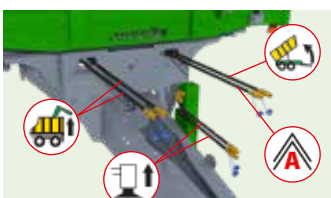


Drawbar with silentblock suspension + central hydraulic skid (Delta-SPACE).



Choice of different bolted eyelets on Delta models.

- (A) Ø 80 mm Scharmüller.
- (B) Ø 50 mm swivel eye.
- (C) Ø 80 mm knee-joint eyelet (standard on Delta-SPACE).
- (D) Ø 50 mm fixed eyelet (standard on Delta-CAP).
- (E) Ø 40 mm fixed eyelet.



Numbered hydraulic hoses for an easy management of the spare parts + stickers indicating the functions.



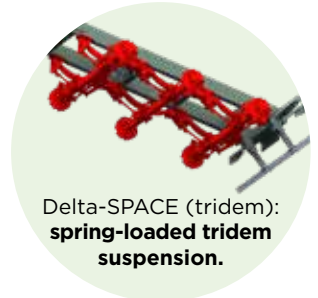
Double-acting hydraulic parking stand with direct connection to the tractor on Delta-CAP (optional on model 4525).



Semi-Mounted Delta-CAP/SPACE for Work in Difficult Conditions



Delta-CAP (tandem):
Roll-Over bogie suspension.





Delta-SPACE (tridem):
spring-loaded tridem suspension.

**Bolted, movable tandem to adapt the weight to the eyelet (tractor).*

Trailed Tetra-CAP/SPACE for Optimal Manoeuvrability



Tetra-CAP/SPACE:
suspension with parabolic leaves.

Tetra-SPACE 24 t with Dolly drawbar for weight transfer to the tractor (max. 4,000 kg).

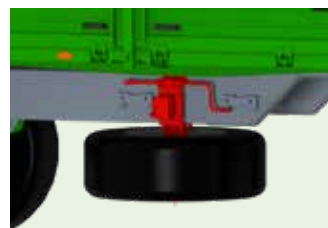
Equipment for Worry-Free Driving



Multiposition rear bumper with height adjustment
(Delta models).



Thermoplastic mudguards.



Winch for spare wheel
(Tetra-CAP/SPACE).

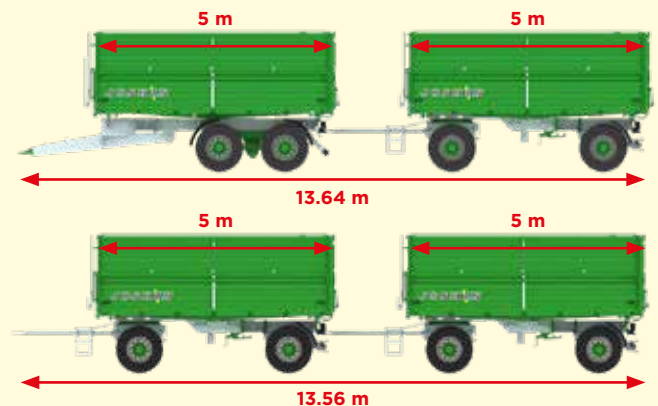


And many more!
Scan the QR code and configure your dropside tipping trailer in a few clicks!

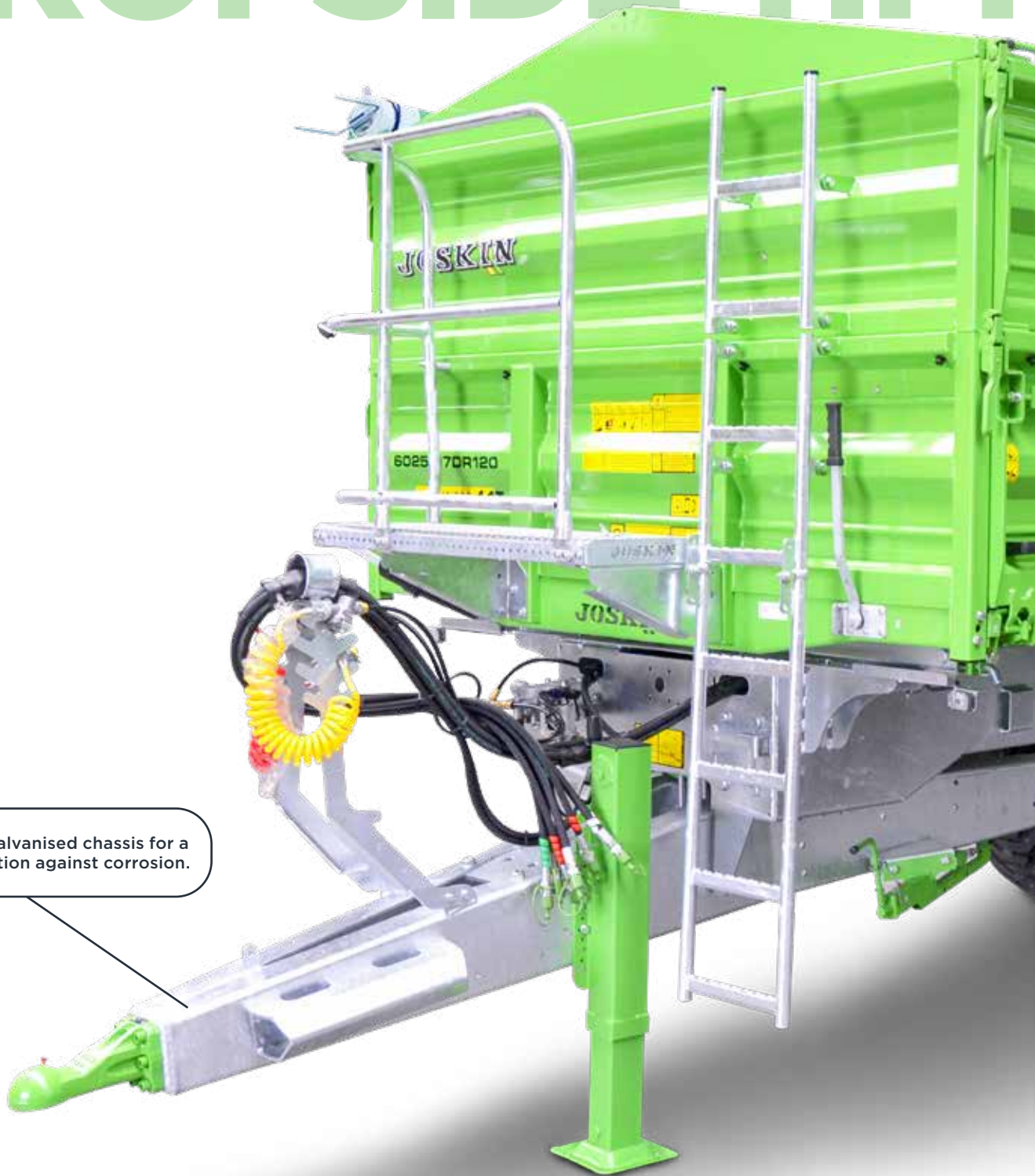
Possibility to Hitch a Second Trailer



Complete connections for the lighting, braking and tipping system of a second trailer **with swivel rear hitch.**



DROPSIDE TIPPER



Fully hot-dip galvanised chassis for a durable protection against corrosion.



TIPPING TRAILERS



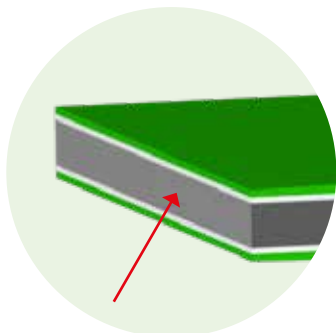
Tipping possible on three sides to easily and safely unload in all circumstances.

Highly resistant synthetic rubber seal all around the body for a perfect tightness.

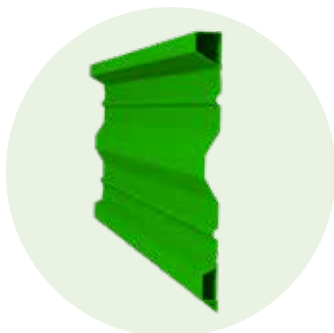
Low centre of gravity for a better stability and a higher driving comfort on all types of terrain.

Sturdy, Modular and Perfectly Sealed Body

Sturdiness



Floor in QST420MC special steel on all models (thickness: 4 mm).

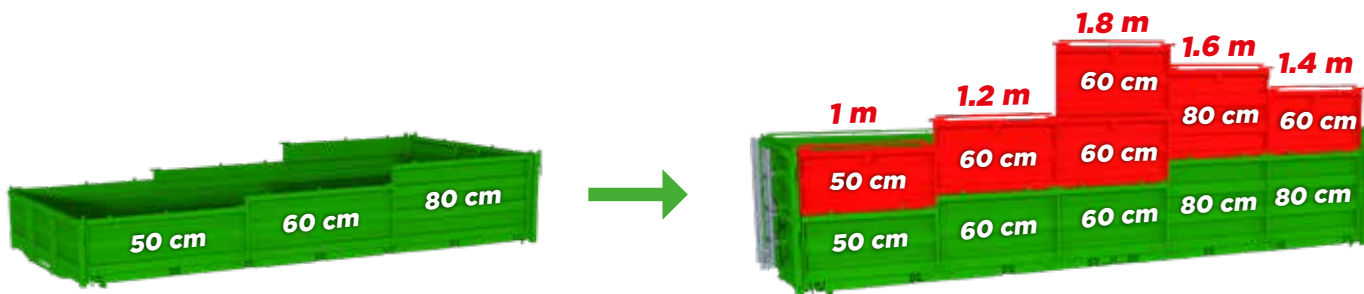


Tubular drop sides for a greater resistance to pressure.



One-piece reinforced basic drop sides along the entire length and height.

Modularity: 3 Fully Removable Basic Drop Sides → 5 Possible Combinations*!



* Number of possible combinations depending on the model.



Front return springs for easy handling of the drop sides (only on models 4525 and 5025).



Tightness



Locking of the side and rear drop sides with numerous hooks that increase the compression between the drop side and the body, ensuring a perfect tightness.



Rubber seals all around the body for a perfect tightness.



3-Way Tipping System

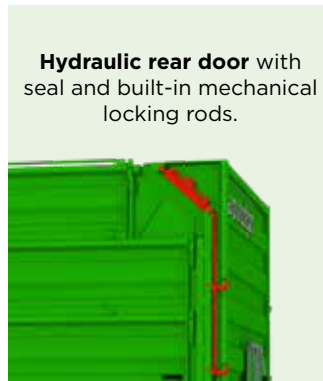
In some places difficult to reach or in order to tip precisely, it is very useful to be able to dump on the sides of the trailer. Standard on Delta-CAP/SPACE and Tetra-CAP/SPACE, the **3-way tipping system** allows unloading to the rear, as well as to the left or right. To that end, **the tipping cylinder A is attached to an oscillating frame** and the side tipping angle is automatically limited by a check valve.



Efficient Unloading of a Wide Range of Materials



Large clearance for an efficient emptying of silage.

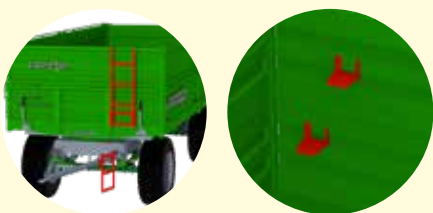


Hydraulic rear door with seal and built-in mechanical locking rods.



Large grain chute (opening: 390x300 mm) with spout.

Equipment to Make Your Life Easier!



Ladder on the front wall and **galvanised steps** inside the body.



Manual roll-up cover + hook for easy attachment, even with the highest bodies.



Platform and side safety **footrest**.



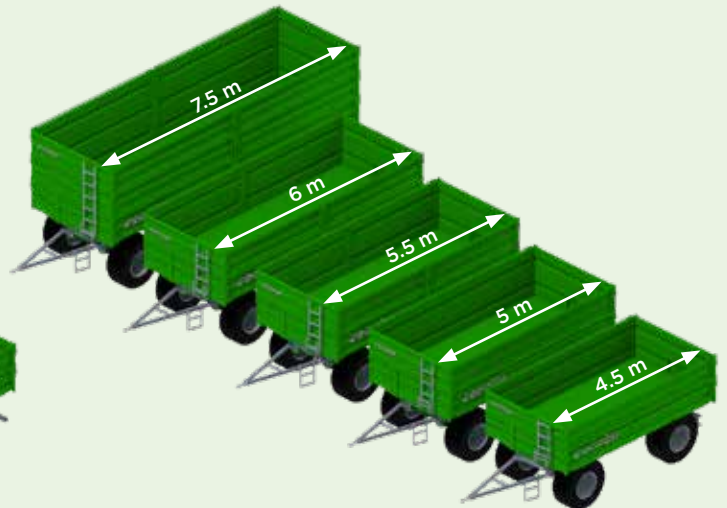
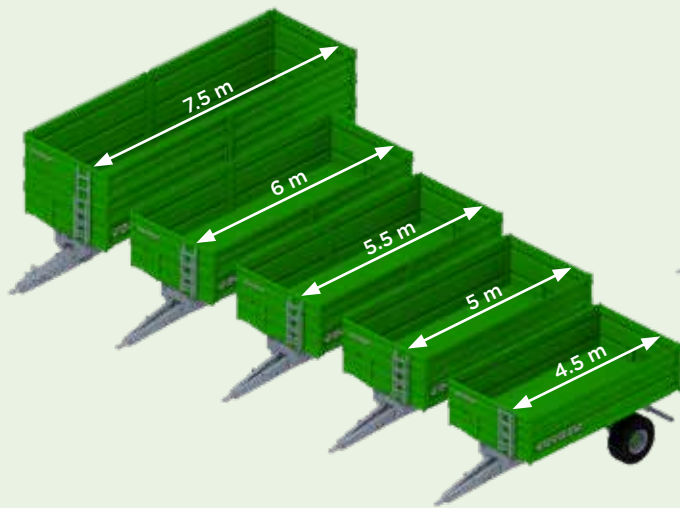
DELTA-CAP/SPACE & TETRA-CAP/SPACE

3-Way Tipping System

WIDE RANGE

DELTA-CAP & DELTA-SPACE

TETRA-CAP & TETRA-SPACE



LARGE CHOICE OF OPTIONS

- Platform
- Manual roll-up cover
- Winch for spare wheel
- Spout for grain chute
- Hydraulic rear door with large clearance
- End outline marker lamps
- Mudguards
- Return springs on drop sides (models 4525 and 5025)
- Automatic rear hitch
- ...



The **bodies and their options** are identical on the Delta and Tetra models.



Expertise in spare parts with an **individualised spare parts book** generated automatically and digitally on MyJOSKIN using the chassis number.

A dropside tipping trailer with all the details you need!

