

# JOSKIN

www.joskin.com

# AQUATRANS

WATER BOWSERS PERFECTLY  
ADAPTED TO YOUR ANIMALS

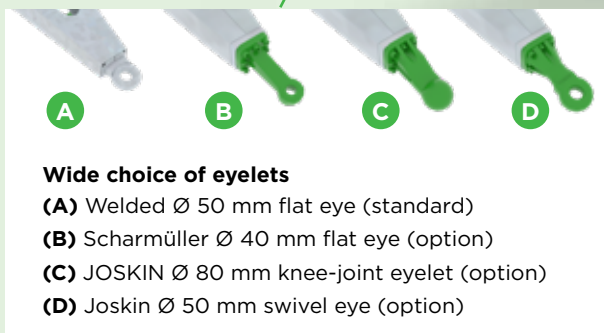
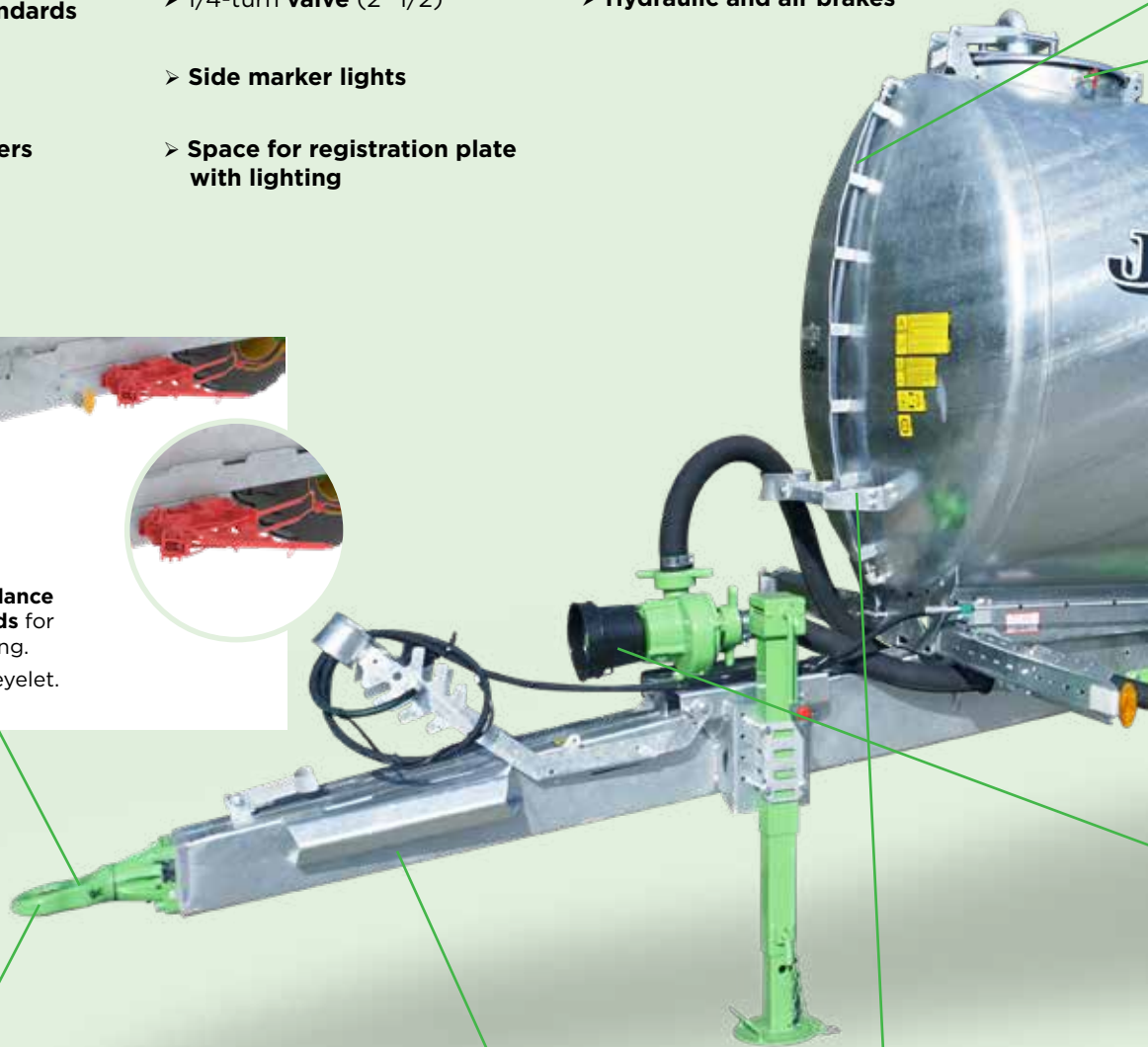
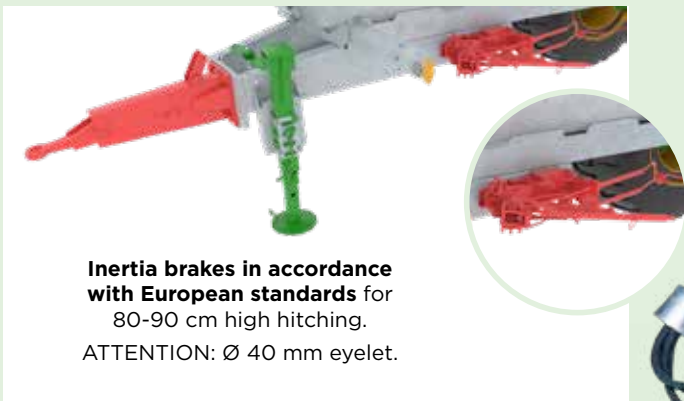


An easy and effective way of ensuring access to water for your animals



## AQUATRANS

- 2" 1/2 rear ball valve
- Drinking trough for 1 animal
- Hydraulic brakes
- Jack stand
- 2" 1/2 dosable scatterer
- Air brakes
- Baffles in accordance with European standards
- 1/4-turn valve (2" 1/2)
- Hydraulic and air brakes
- Mudguards
- Side marker lights
- Rear or side bumpers
- Space for registration plate with lighting





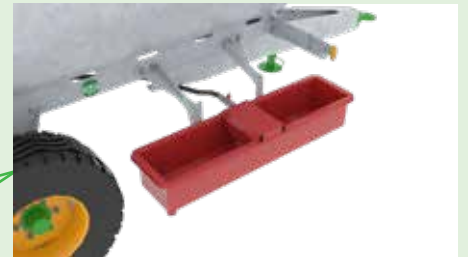
Protected **level indicator**, out of reach of animals.



Ø 450 mm **lid** with quick opening and seal.



**Delivered as an unassembled kit** to reduce transport costs and size.

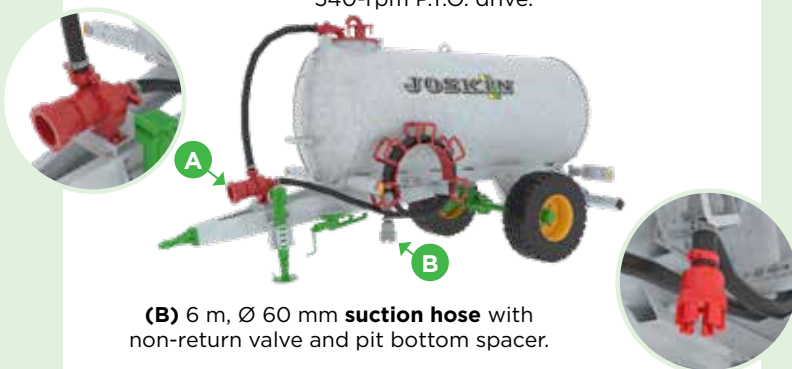


**70 l drinking trough with constant level** with 1" valve (for closure during transport), in rear or side position.



**Hinged rear lights**, which can be folded manually to prevent damage by livestock.

**(A) Centrifugal filling pump:** 1,000 l/min flow, 540-rpm P.T.O. drive.



**(B) 6 m, Ø 60 mm suction hose** with non-return valve and pit bottom spacer.



**Electric drainage pump** (12 V) - including gun, counter and 4 m of 1" hose.

## AQUATRANS RANGE

# FROM 1,100 L TO 10,000 L

| Static tanks                | (identical tanks)          | Mobile tanks                |   |
|-----------------------------|----------------------------|-----------------------------|---|
| <p>5,100 l<br/>Ø 1.25 m</p> |                            | <p>5,100 l<br/>Ø 1.25 m</p> | <h3>AQUATRANS</h3> <ul style="list-style-type: none"> <li>✓ Capacity from 1,100 to 5,100 l</li> <li>✓ Tank length from 1.56 to 4.35 m</li> <li>✓ Diameter from 1 to 1.25 m</li> <li>✓ Tank in galvanised high tensile steel</li> <li>✓ Low empty weight</li> </ul>                          |
| <p>4,300 l<br/>Ø 1.25 m</p> |                            | <p>4,300 l<br/>Ø 1.25 m</p> |   |
| <p>3,600 l<br/>Ø 1.25 m</p> |                            | <p>3,600 l<br/>Ø 1.25 m</p> |   |
| <p>2,100 l<br/>Ø 1 m</p>    |                            | <p>2,100 l<br/>Ø 1 m</p>    |   |
| <p>1,100 l<br/>Ø 1 m</p>    |                            | <p>1,100 l<br/>Ø 1 m</p>    |   |
|                             |                            |                             | <h3>AQUATRANS XL</h3> <ul style="list-style-type: none"> <li>✓ Capacity from 6,000 to 10,000 l</li> <li>✓ Tank length from 4.12 to 4.88 m</li> <li>✓ Diameter from 1.4 to 1.7 m</li> <li>✓ Tank in galvanised high tensile steel</li> <li>✓ Reinforced self-supporting structure</li> </ul> |
|                             |                            |                             | <p>10,000 l<br/>Ø 1.7 m</p>   |
| <h3>Mobile XL tanks</h3>    |                            |                             |   |
| <p>6,000 l<br/>Ø 1.4 m</p>  | <p>7,000 l<br/>Ø 1.5 m</p> | <p>8,400 l<br/>Ø 1.5 m</p>  |   |

